

Key: Prison Paracentric
Door: Swinging
Security Level: Maximum

60/60K Latch and Key Operated Deadlocks

Description

Series 60 Locks are lever tumbler, mechanical locks for swinging doors. Series 60 Locks are key operated only. Series 60K Locks also have a knob set which is active when the lock is not deadlocked. Specify keying as follows:

- 62 Keyed cover side
- 66 Keyed both sides
- 62K Knob model keyed cover side
- 66K Knob model keyed both sides

Applications

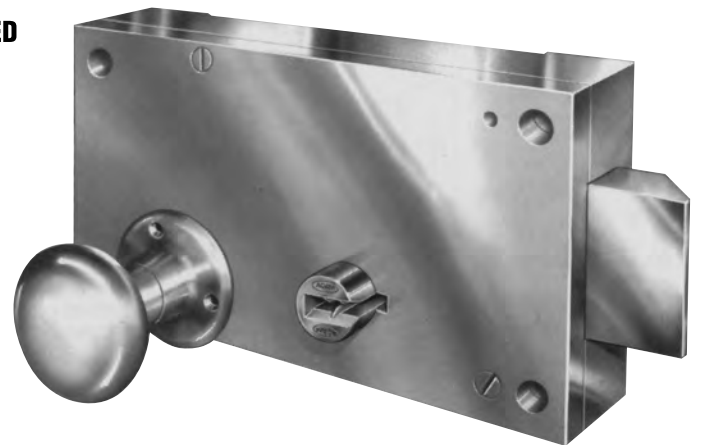
Series 60 Locks are ideal for use on corridor, cell, dining room or recreational area doors. Series 60K Locks with knobs are suited for administrative or infirmary areas where staff personnel require the convenience of knob operation combined with slam-locking and the security of a deadlock. Specify handing.

Standards Compliance

UL listed as Fire Door Accessory, 3 hour rating with strike. Single or pair of doors with 3 hour rating.

Standard Features

- **Knob operation (Series 60K)** – Knob will operate latchbolt unless deadlocked.
- **Mechanical operation** – Locks and unlocks by key. A half-turn of the key unlocks, and a full turn of the key, in the opposite direction, deadlocks the latchbolt. Key is removable in the deadlocked and latched position.
- **Automatic snap-locking** – Automatically when door is closed.
- **Durable case** – Ductile iron case with 3/8" thick steel cover.
- **Corrosion-resistance** – Working parts are corrosion-resistant.
- **Heavy-duty lever tumblers** – 5 spring-temper brass tumblers, activated by heavy phosphor-bronze springs. Precision fit to locking fence.
- **Large solid latchbolt** – Zinc plated steel, 2" x 3/4" with two hardened steel roller pins to resist sawing. Bolt projects 1/2" when retracted.
- **Bolt throw** – 3/4"
- **Bolt projection** – 1/2" or 1-1/4" are standard. Use 1-1/4" projection for stop side mounting.



Combination Knob



(continued)

For more information, please call 210.533.1231.



Key: Prison Paracentric
Door: Swinging
Security Level: Maximum

60/60K Latch and Key Operated Deadlocks

(continued from previous page)

Standard Features

- **Investment-cast key cylinder** – One-piece bronze alloy with paracentric keyway.
- **Knobs and roses (Series 60K)** – US26D finish attached to a 3/8" square spindle by exposed set screws on one side, and a concealed cross-pin on the other. Knobs are provided for both sides unless specified otherwise.
- **Finish (Series 60K)** – Trim satin chrome US26D, zinc plated for case/cover.

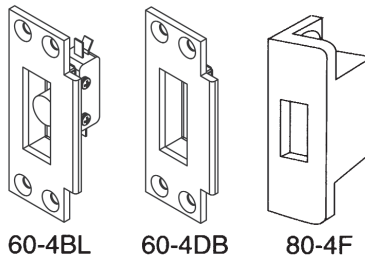
Optional Features

- **Mounting** – Hollow metal, grille or plate.
- **Single knob (60K Series)**
- **Safety knob set (60K Series)** – Specify "SK" for safety knob one side. "Double SK" for safety knob on both sides.

Accessories

(must be specified separately)

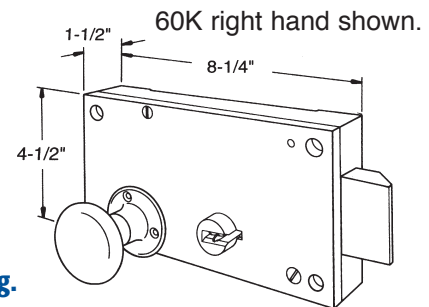
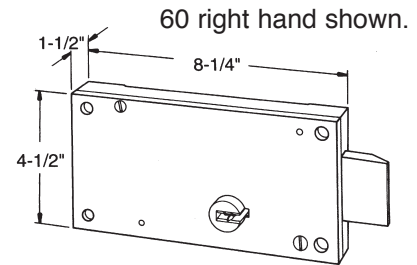
- **60-4B** – Mortise strike and mounting screws.
- **60-4BL** – Mortise strike with switch and mounting screws.
- **60-4DB** – Mortise strike with dust box and mounting screws.
- **80-4F** – Surface-mounted keeper and mounting screws.



- 4) Location of single knob, hinge side or stop side.
- 5) Mounting required.
- 6) Key code instructions.
- 7) Accessories required.

Dimensional Data

Note: Dimensions are for information and planning purposes only, and should not be used as templates.



How To Order

Specify:

- 1) Quantity
- 2) Handing
- 3) Bolt projection

Specify circled swing number when ordering.

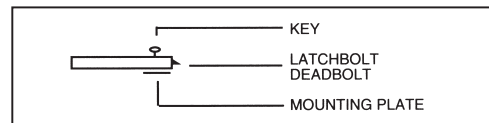
MOUNTING PLATE HINGE SIDE

KEYED BOTH SIDES	13 RHSB	LHSB 14
KEYED HINGE SIDE	17 RHSB	LHSB 18
KEYED STOP SIDE	21 LHRB	RHRB 22

MOUNTING PLATE STOP SIDE

KEYED BOTH SIDES	15 LHRB	RHRB 16
KEYED STOP SIDE	19 LHRB	RHRB 20
KEYED HINGE SIDE	23 RHSB	LHSB 24

LEGEND



P.O. Box 2021, San Antonio, TX 78297 ■ Ph: 210.533.1231 ■ Fx: 210.533.2211
 Web: www.SouthernFolger.com ■ Email: info@southernfolger.com